



<b>Output power</b>	<b>100 VA</b>
<b>Input</b>	<b>230 +/-5% V AC</b>
<b>Output</b>	<b>230 V AC</b>
<b>Category</b>	<b>Line, Control circuit und Isolation transformer</b>



Picture representative

## Electrical parameters

Phases	1
Nominal power	VA 100
Short-time power	VA 310
Nominal input voltage	V AC 242-230-218
Nominal input current	A AC 0,535-0,561-0,591
Nominal output voltage	V AC 230
Nominal output current	A AC 0,435
Frequency	Hz 50...60
Short circuit voltage	% 7,70   20°C
Vector group	li0
Duty	continuous
Duty cycle	% 100
Winding material	CU
Winding losses	W 9,40
Iron losses	W 6,90
Total losses	W 16,3
Efficiency	% 86,0

## Standards

Standards	EN 61558-2-1, -2-2, -2-4 UL 5085 / XPTQ2-8.E92271
-----------	--

## Authorization / Certificate

Approvals	ENE cULus   (further approvals possible on customer request)
Declaration of Conformity	CE

## Environmental conditions

Operating temperature	°C	-25 ... +40
Storage temperature	°C	-25 ... +55
Extended temperature range	°C	up to +80 (after power reduction according to the load characteristics)



Relative humidity (without condensation)	%	5 ... 95
Cooling		natural cooling
Installation altitude		to 1000m above sea level, higher altitude possible with power reduction
Overvoltage category	(acc. EN 61558)	OVC III
Degree of pollution	(acc. EN 61558)	P2

## Installation and mounting

Type of terminals	Screw / tab connection
Mounting type	Screws / mounting rails
Mounting position	see „Dimensional drawing“ at the end of the document
Dimensions (HxWxD)	see „Dimensional drawing“ at the end of the document
Mounting dimensions	see „Dimensional drawing“ at the end of the document
Oblong hole	see „Dimensional drawing“ at the end of the document
Clearance distance	see technical information in the chapter „Further information“

## Security features

Insulation class	acc. EN	class B
Insulation class	acc. UL	CLASS 130
Protection		IP00 (other types of protection on request)
Protection class		I
Short-circuit strength		conditionally with protection

## Connection table



### Terminal block

Back side: 32-31  
Front side: 1-2-3-4

	U <sub>N</sub> [V AC]	I <sub>N</sub> [A AC]	Terminals $\circ \circ$	Wiring $\overline{\circ \circ}$	Protection
PRI1	242	0,535	1-4	-	3RV2411-0HA10 / 0,59A (ext.)
	230	0,561	1-3	-	3RV2411-0HA10 / 0,62A (ext.)
	218	0,591	1-2	-	3RV2411-0HA10 / 0,65A (ext.)
SEC1	230	0,435	31-32	-	3RV2011-0FA10 / 0,44A (ext.)



### NOTE protection

Protection acc. IEC 60947 | Type suggestion with Siemens circuit breaker - alternatives are possible.  
Protection for the North American market acc. UL - see chapter „Further information“.

## General data

GTIN / EAN	4025515512639
Country of origin	Czech Republic
Packaging unit	1
Export sign	AL: N / ECCN: N
Customs tariff number	85043180
Gross weight - brutto	kg 2,2
Net weight - netto	kg 2,0

## Further information

Complete catalogue Transformers / Power Supplies / Reactors / Filters

[www.mdexx.com/online-katalog](http://www.mdexx.com/online-katalog)

Core product range Transformers

[www.mdexx.com/core-products-range-transformers](http://www.mdexx.com/core-products-range-transformers)

Technical information

[www.mdexx.com/technische-information](http://www.mdexx.com/technische-information)

ePLAN / CAD data

[www.eplandata.de/portal/en\\_EN/part/MDX.TAM3442-4TT10-0FA0](http://www.eplandata.de/portal/en_EN/part/MDX.TAM3442-4TT10-0FA0)

Service / Support

- Operating instruction [www.mdexx.com/BA\\_T\\_Transformatoren \(TAM, TAP, TAT, TAU, TBT, TBU\)](http://www.mdexx.com/BA_T_Transformatoren_(TAM,_TAP,_TAT,_TAU,_TBT,_TBU))
- Certificate [www.mdexx.com/downloads/zertifikate](http://www.mdexx.com/downloads/zertifikate)
- EU Declarations of Conformity [www.mdexx.com/Transformatoren nach EN 61558 \(TAM, TAN, TAP, TAT, TAU, TAW\)](http://www.mdexx.com/Transformatoren_nach_EN_61558_(TAM,_TAN,_TAP,_TAT,_TAU,_TAW))
- EAC Certifications [www.mdexx.com/EAC Transformatoren](http://www.mdexx.com/EAC_Transformatoren)
- UL Certifications
 

US	product	<a href="http://www.mdexx.com/XPTQ2.E92271_(TAJ,_TAM,_TAP,_TAW,_TEF,_TEV)">www.mdexx.com/XPTQ2.E92271 (TAJ, TAM, TAP, TAW, TEF, TEV)</a>
	isolation	<a href="http://www.mdexx.com/OBJY2.E106597_(CTB130,_CTB155,_ADS180,_CCC180)">www.mdexx.com/OBJY2.E106597 (CTB130, CTB155, ADS180, CCC180)</a>
CA	product	<a href="http://www.mdexx.com/XPTQ8.E92271_(TAJ,_TAM,_TAP,_TAW,_TEF,_TEV)">www.mdexx.com/XPTQ8.E92271 (TAJ, TAM, TAP, TAW, TEF, TEV)</a>
	isolation	<a href="http://www.mdexx.com/OBJY8.E106597_(CTB130,_CTB155,_ADS180,_CCC180)">www.mdexx.com/OBJY8.E106597 (CTB130, CTB155, ADS180, CCC180)</a>

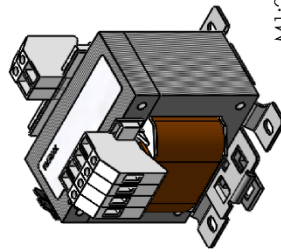
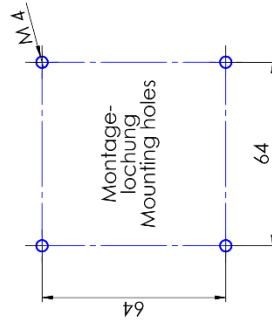
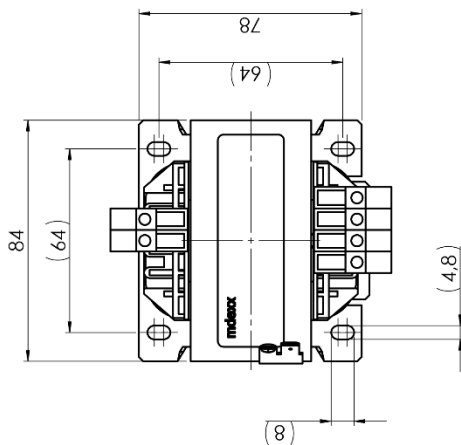
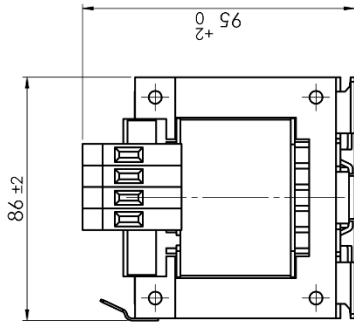
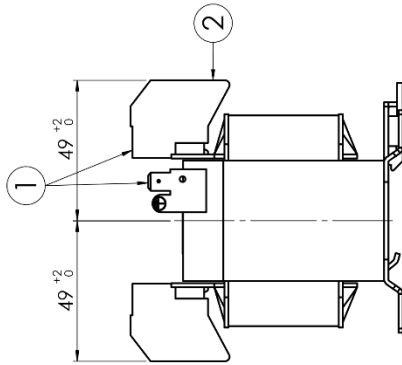
# Dimensional drawing

## Anschlüsse:

- ① Flachsteckeranschluss:  
DIN 46224 - A 6.3 - 0.8
- ② Schraubanschluss:  
eindrätig: 0,5 bis 6mm<sup>2</sup>  
feindrätig: 0,5 bis 4mm<sup>2</sup>  
Anziehdrehmoment: 0,5 Nm  
Absolütlänge: 10-11 mm

## connections:

- ① flat plug connection:  
DIN 46224 - A 6.3 - 0.8
- ② screw connection:  
single wire: 0,5 to 6mm<sup>2</sup>  
finely stranded: 0,5 to 4mm<sup>2</sup>  
tightening torque: 0,5 Nm  
stripping length: 10-11 mm



technical specifications		untoleranced dimension ISO 2768-m	scale: 1:1.5	weight: approx. max. 2,0 KG
project		name	description	
amex		date	Transformer / transformer	
		drawn	PIORBEL	EI 84/42
		checked	LINNECK	
		released	LINNECK	
		size	A 3	drawing number
				MTZAM218-54
		type	TAM344-	index
				E
				sheet
				2
				total
				2

Klemmenzahl und Position können variieren!  
Number of terminals and position can vary!