



<b>Output power</b>	<b>400 VA</b>
<b>Input</b>	<b>550-525-500-480-460-440-415-400-380-230-208 V AC</b>
<b>Output</b>	<b>24 V AC</b>
<b>Category</b>	<b>Line, Control circuit und Safety isolating transformer</b>



Picture representative

## Electrical parameters

Phases	1
Nominal power	VA 400
Short-time power	kVA 1,44
Nominal input voltage	V AC 550-525-500-480-460-440-415-400-380-230-208
Nominal input current	A AC 0,836-0,876-0,920-0,958-1,000-1,045-1,108-1,150-1,210-1,999-2,211
Nominal output voltage	V AC 24
Nominal output current	A AC 16,7
Frequency	Hz 50...60
Short circuit voltage	% 4,65   20°C
Vector group	li0
Duty	continuous
Duty cycle	% 100
Winding material	CU
Winding losses	W 24,8
Iron losses	W 17,3
Total losses	W 42,1
Efficiency	% 89,9

## Standards

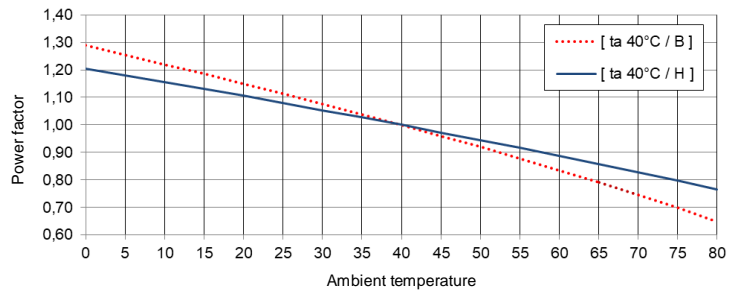
Standards	EN 61558-2-1, -2-2, -2-6 UL 5085 / XPTQ2-8.E92271
-----------	--

## Authorization / Certificate

Approvals	EAC cULus   (further approvals possible on customer request)
Declaration of Conformity	CE

## Environmental conditions

Operating temperature	°C	-25 ... +40
Storage temperature	°C	-25 ... +55
Extended temperature range	°C	up to +80 (after power reduction according to the load characteristics)



Relative humidity (without condensation)	%	5 ... 95
Cooling		natural cooling
Installation altitude		to 1000m above sea level, higher altitude possible with power reduction
Overvoltage category	(acc. EN 61558)	OVC III
Degree of pollution	(acc. EN 61558)	P2

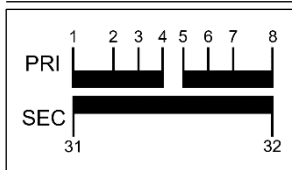
## Installation and mounting

Type of terminals	Screw / tab connection
Mounting type	Screw
Mounting position	see „Dimensional drawing“ at the end of the document
Dimensions (HxWxD)	see „Dimensional drawing“ at the end of the document
Mounting dimensions	see „Dimensional drawing“ at the end of the document
Oblong hole	see „Dimensional drawing“ at the end of the document
Clearance distance	see technical information in the chapter „Further information“

## Security features

Insulation class	acc. EN	class B
Insulation class	acc. UL	CLASS 130
Protection		IP00 (other types of protection on request)
Protection class		I
Short-circuit strength		conditionally with protection

## Connection table



### Terminal block

Back side: 32-31  
Front side: 1-2-3-4-5-6-7-8

	U <sub>N</sub> [V AC]	I <sub>N</sub> [A AC]	Terminals	Wiring	Protection
PRI1	550	0,836	1-8	4-5	3RV2411-0KA10 / 0,92 A (ext.)
	525	0,876	1-8	3-5	3RV2411-0KA10 / 0,96 A (ext.)
	500	0,920	1-8	2-5	3RV2411-0KA10 / 1,00 A (ext.)
	480	0,958	1-8	2-5	3RV2411-0KA10 / 1,10 A (ext.)
	460	1,000	1-8	4-6	3RV2411-0KA10 / 1,10 A (ext.)
	440	1,045	1-8	3-6	3RV2411-0KA10 / 1,20 A (ext.)
	415	1,108	1-8	3-7	3RV2411-1AA10 / 1,30 A (ext.)
	400	1,150	1-8	2-6	3RV2411-1AA10 / 1,30 A (ext.)
	380	1,210	1-8	2-7	3RV2411-1AA10 / 1,40 A (ext.)
	230	1,999	1-8	1-6 4-8	3RV2411-1CA10 / 2,20 A (ext.)
	208	2,211	1-8	1-7 3-8	3RV2411-1EA10 / 2,50 A (ext.)
SEC1	24	16,7	31-32	-	3RV2021-4BA10 / 17,0A (ext.)



### NOTE protection

Protection acc. IEC 60947 | Type suggestion with Siemens circuit breaker - alternatives are possible.  
Protection for the North American market acc. UL - see chapter „Further information“.

## General data

GTIN / EAN	4025515520764
Country of origin	Czech Republic
Packaging unit	1
Export sign	AL: N / ECCN: N
Customs tariff number	85043180
Gross weight - brutto	kg 6,1
Net weight - netto	kg 5,8

## Further information

Complete catalogue Transformers / Power Supplies / Reactors / Filters

[www.mdexx.com/online-katalog](http://www.mdexx.com/online-katalog)

Core product range Transformers

[www.mdexx.com/core-products-range-transformers](http://www.mdexx.com/core-products-range-transformers)

Technical information

[www.mdexx.com/technische-information](http://www.mdexx.com/technische-information)

ePLAN / CAD data

[www.eplandata.de/portal/en\\_EN/part/MDX.TAM4642-8DN00-0EA0](http://www.eplandata.de/portal/en_EN/part/MDX.TAM4642-8DN00-0EA0)

Service / Support

- Operating instruction [www.mdexx.com/BA\\_T\\_Transformatoren \(TAM, TAP, TAT, TAU, TBT, TBU\)](http://www.mdexx.com/BA_T_Transformatoren_(TAM,_TAP,_TAT,_TAU,_TBT,_TBU))
- Certificate [www.mdexx.com/downloads/zertifikate](http://www.mdexx.com/downloads/zertifikate)
- EU Declarations of Conformity [www.mdexx.com/Transformatoren nach EN 61558 \(TAM, TAN, TAP, TAT, TAU, TAW\)](http://www.mdexx.com/Transformatoren_nach_EN_61558_(TAM,_TAN,_TAP,_TAT,_TAU,_TAW))

- EAC Certifications
- UL Certifications

		<a href="http://www.mdexx.com/EAC%20Transformatoren">www.mdexx.com/EAC Transformatoren</a>
US	<i>product</i>	<a href="http://www.mdexx.com/XPTQ2.E92271%20(TAJ.TAM.TAP.TAW.TEF.TEV)">www.mdexx.com/XPTQ2.E92271 (TAJ, TAM, TAP, TAW, TEF, TEV)</a>
	<i>isolation</i>	<a href="http://www.mdexx.com/OBJY2.E106597%20(CTB130.CTB155.ADS180.CCC180)">www.mdexx.com/OBJY2.E106597 (CTB130, CTB155, ADS180, CCC180)</a>
CA	<i>product</i>	<a href="http://www.mdexx.com/XPTQ8.E92271%20(TAJ.TAM.TAP.TAW.TEF.TEV)">www.mdexx.com/XPTQ8.E92271 (TAJ, TAM, TAP, TAW, TEF, TEV)</a>
	<i>isolation</i>	<a href="http://www.mdexx.com/OBJY8.E106597%20(CTB130.CTB155.ADS180.CCC180)">www.mdexx.com/OBJY8.E106597 (CTB130, CTB155, ADS180, CCC180)</a>

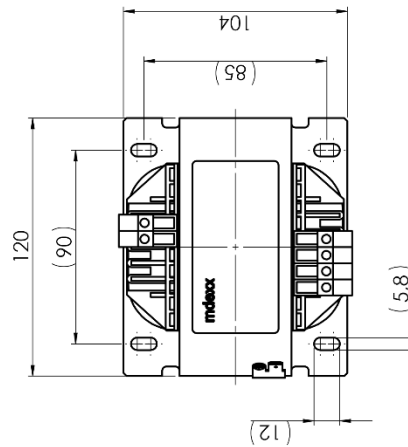
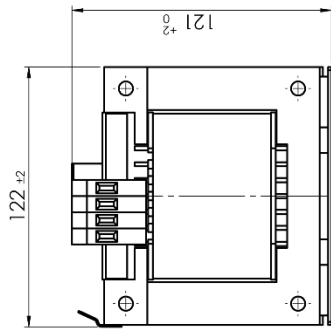
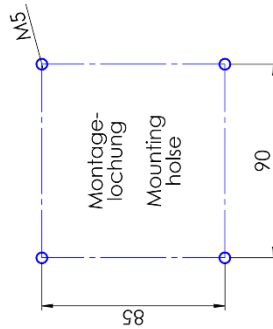
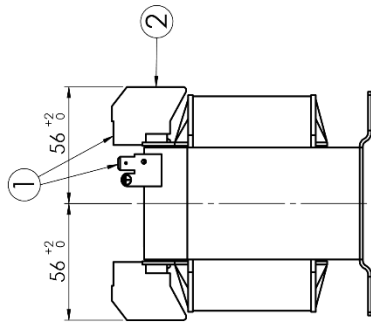
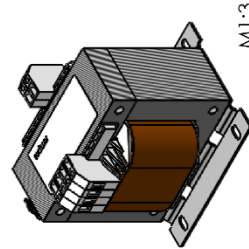
# Dimensional drawing

## Anschlüsse:

- ① **Flachsteckeranschluss:**  
DIN 46224 - A 6.3 - 0.8
- ② **Schraubanschluss:**  
eindrätzig: 0.5 bis 6mm<sup>2</sup>  
feindrätzig: 0.5 bis 4mm<sup>2</sup>  
Anziehdrehmoment: 0.5 Nm  
Abisolierlänge: 10-11 mm

## connections:

- ① **flat plug connection:**  
DIN 46224 - A 6.3 - 0.8
- ② **screw connection:**  
single wire: 0.5 to 6mm<sup>2</sup>  
finely stranded: 0.5 to 4mm<sup>2</sup>  
tightening torque: 0.5 Nm  
stripping length: 10-11 mm



C		Schriftkopf auf Englisch umgestellt.		BORCHERS	
index		modification	scale: 1:2	date	11.11.2020
technical specifications		ISO 2768 - m	semifinished part	weight: approx. max. 5,4KG	
project		name	Transformer / transformer		
amex		date	13.09.2016	description	
		checked	06.01.2021	name	BORCHERS
		released	06.01.2021	LINNECK	EI 120/62
				LINNECK	
				Type	TAM464-
		size	A 3	drawing number	MTZAM218-58
		replacement for:		sheet	1
				total	1

Klemmenanzahl und Position können variieren!  
Number of terminals and positions can vary!